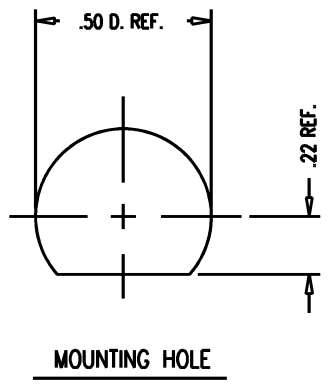
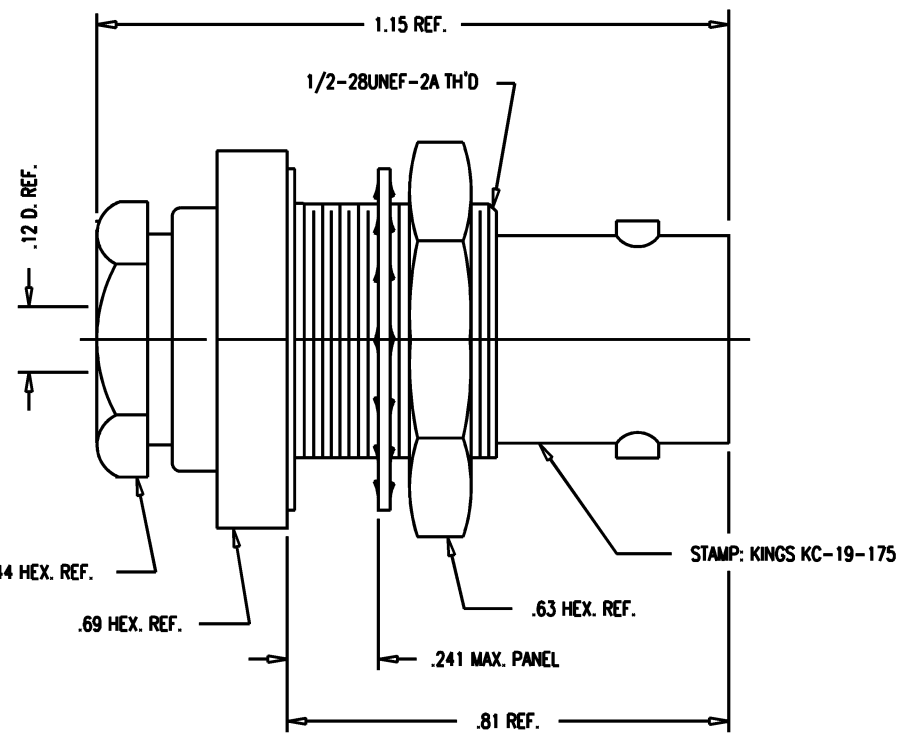


| | | |
|----------|--------|-----------|
| DASH NO. | M CODE | MADE FROM |
|----------|--------|-----------|

GSD

KC-19-175

| REVISIONS | |
|-----------|--------------------------------------|
| ISSUE | CHANGES |
| 3 | CN 37183 A REDRAWN KH 11/17/96 |



- NOTES:
- FOR USE WITH RG-174, 179, 187, 188 CABLES.
 - FOR CABLING INSTRUCTIONS SEE CP-1004.1
 - INTERFACE PER MIL-STD-348, FIG. 301-2.
 - MATERIALS:
 - INSULATORS: TEFLON, ASTM-D-4894
 - LOCKWASHER: PHOSPHOR BRONZE, ASTM-B-103
 - GASKETS: SILICONE RUBBER, ZZ-R-765
 - CENTER CONTACT: BER. COPPER, ASTM-B-196
 - ALL OTHER METAL PARTS: BRASS, ASTM-B16
 - FINISHES:
 - CENTER CONTACT: GOLD PLATE PER MIL-G-45204
 - ALL OTHER METAL PARTS: KINGS TARNISH RESISTANT NICKEL FINISH (TR-5)
 - ELECTRICAL CHARACTERISTICS:
 - NOMINAL IMPEDANCE: 50 OHMS
 - WORKING VOLTAGE: 500 VRMS
 - FREQUENCY RANGE: DC TO 4 GHz.

KAM6880

| | |
|---------------------|-------------------------|
| SCALE | 4:1 |
| APPROX SURFACE AREA | |
| USED ON | |
| REF: | GRUMMAN GC811EN2 REV. A |
| JACK, BULKHEAD, BNC | |
| DRAWN | KH 04/27/96 |
| DESIGN | LI 04/27/96 |
| APPR. | DATE |

GSD

| | |
|---|--|
| KINGS ELECTRONICS CO., INC. TUCKAHOE, NEW YORK 10707 | |
| KC-19-175 | |